



your global partner for entrance solutions



● **Austria**

Helmut Heinz Bunzl Ges.m.b.H.
record Türautomation
Zwingenstrasse 17
A-2380 Perchtoldsdorf
Tel. + 43 1 865 88 75
Fax + 43 1 865 88 75 14
e-mail: hhb@aon.at
www.record.hhb.at

● **Denmark**

record BMT A/S
Hovedstensvej 33
DK-2650 Hvidovre
Tel. + 45 36 78 23 00
Fax + 45 36 77 16 28
e-mail: salg@recordbmt.dk
www.recordbmt.dk

● **France**

record portes automatiques SAS
ZAC-6 Rue de l'Orme Saint Germain
F-91165 Champlan Cedex
Tel. + 33 1 69 79 31 10
Fax + 33 1 69 79 31 29
e-mail: record@cordver.fr
www.record-portes-automatiques.fr

● **Germany**

record Türautomation GmbH
Dieselstrasse 70
D-42389 Wuppertal
Tel. + 49 202 60 90 10
Fax + 49 202 60 90 111
e-mail: info@tuerautomation.de
www.tuerautomation.de

● **Great Britain**

record automatic doors (UK) limited
Unit 4 D, Albany Park Industrial Estate
Frimley Road, Camberley
GB-Surrey GU 16 7 QE
Tel. + 44 1276 692 999
Fax + 44 1276 692 747
e-mail: info@record-uk.co.uk

● **Hungary**

record ajtó kft
Leshegy ut 8
H-2310 Szigetszentmiklós
Tel. + 36 24 51 53 90
Fax + 36 24 51 53 92
e-mail: recordajto@recordajto.hu

● **Netherlands**

Automatische deuren record B.V.
Cardanuslaan 30
NL-6865 HK Doorwerth
Tel. + 31 26 33 99 777
Fax + 31 26 33 99 770
e-mail: info@record-automatishedeuren.nl
www.record-automatishedeuren.nl

● **Poland**

record drzwi automatyczne Sp.zo.o
Nowa 23 Street
PL-05-500 Piaseczno, Stara Iwiczna
Tel. + 48 22 73 77 100
Fax + 48 22 737 70 08
e-mail: record@record.net.pl

● **Spain**

record puertas automaticas SA
Calle Joaquin Sorolla, n°81
E 28529 Rivas Vaciamadrid
Tel. + 34 91 499 08 80
Fax + 34 91 499 12 56
e-mail: infospain@recordpuertas.es

● **Sweden**

record dörrautomatik sweden AB
Box 19006
Wedavagen 22B
S-15225 Södertälje
Tel. + 46 8 550 646 30
Fax + 46 8 550 699 20
e-mail: info@rdarecord.se
www.rdarecord.se

● **Switzerland**

record Türautomation AG
Allmendstrasse 24
CH-8320 Fehraltorf
Tel. + 41 1 954 91 91
Fax + 41 1 954 92 00
e-mail: gch@record.ch
www.record.ch

● **USA**

KM Systems Inc.
4910 Starcrest Drive (28110)
Post Office Box 3099
Monroe, NC 28111-3099
Tel. + 1 704 289 92 12
Fax + 1 704 289 20 24
e-mail: engineering@kmsystemsinc.com
www.kmsystemsinc.com

● **International**

record international sa
Allmendstrasse 24
CH-8320 Fehraltorf
Tel. + 41 1 954 91 91
Fax + 41 1 954 92 00
e-mail: exp@record.ch



● **Production**

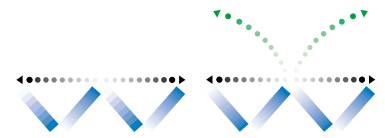
agtatec ltd
Allmendstrasse 24
CH-8320 Fehraltorf
Tel. + 41 1 954 91 91
Fax + 41 1 954 92 00
e-mail: agtatec@record.ch

record industry SA
Z.I. les Triboulières
F-38460 Crémieu
Tel. + 33 4 74 90 52 90
Fax + 33 4 74 90 52 91
e-mail: record.industry@cordver.fr

www.agta-record.com



your global partner for entrance solutions



Automatic folding door
Automatic folding door for use in escape and rescue routes

record 16 FTA
record 16 FBO



Real space savers!



record

your global partner for entrance solutions



record 16 FTA and 16 FBO automatic folding doors

Elegant-silent-reliable

Where space is at a premium, record's folding doors allow quick and easy access. Ideally suited to buildings with narrow entrances, they are the perfect solution for restaurants, hotels, business premises, hospitals and homes for the elderly, as well as offices and private buildings. The folding doors use record's proven system 16 drive and control units, and have all the features and functions of **record's 16 STA** standard operator. The folding door can be face fixed or mounted in line.

record 16 FBO folding door

For safe and reliable opening in emergencies

The **16 FBO** folding door was specially developed for use in escape and rescue routes. In normal use, the door panels fold inwards. In emergencies, access to escape and rescue routes is provided by light pressure on the door panel. This frees the track from its mountings, allowing the door panel and track to open outwards.



Technical Data

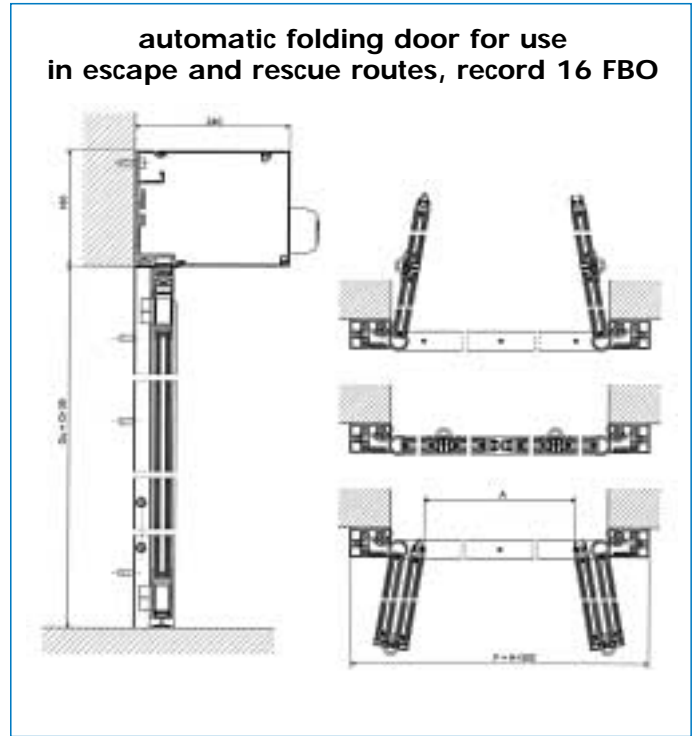
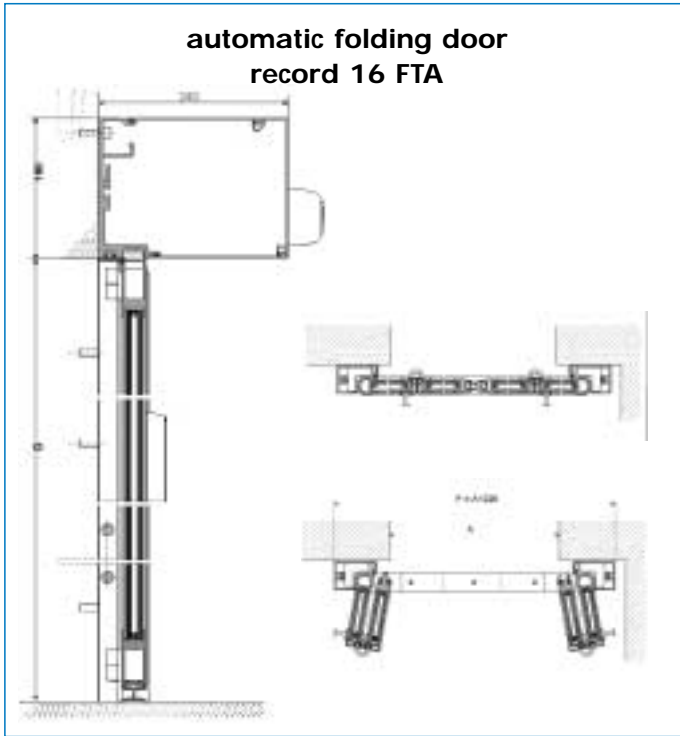
16 FTA/16 FBO

Clear opening width A	800 - 2'000 mm
Clear height of passage G	2'500 mm
Recommended maximum height	
Max. weight of door leaves	4 x 37,5 kg, max. 150 kg
weight in total	
Operator dimensions, incl. casing	
height	180 mm
depth	240 mm
Door movements (programmable)	
Opening	max. 0.7m/1.0 s
Closing	max. 0.5m/1.0 s
Electrical connection data	
mains voltage	230 V, 50 / 60 Hz
rated power	0,6 A
rated capacity	100 W
rated capacity standby mode	14 W
fuse protection	min. 2.5 A slow

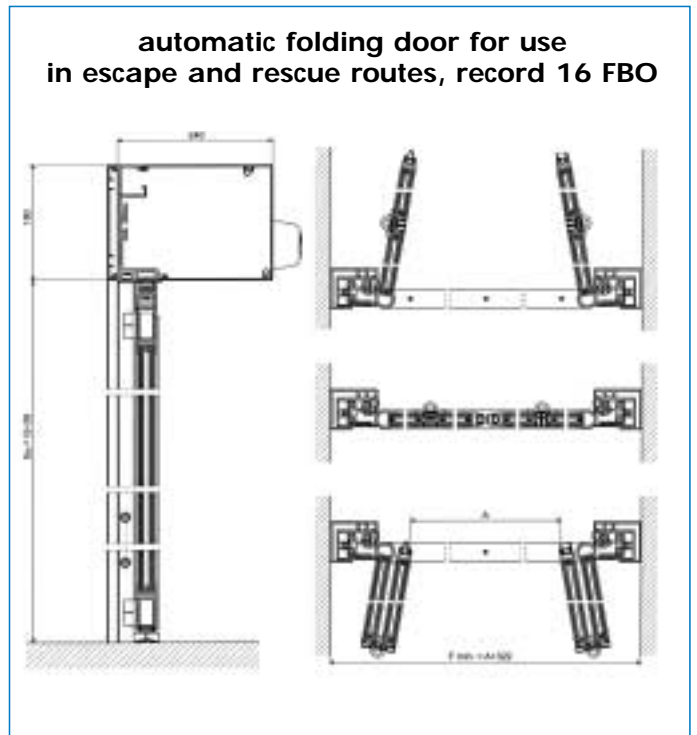
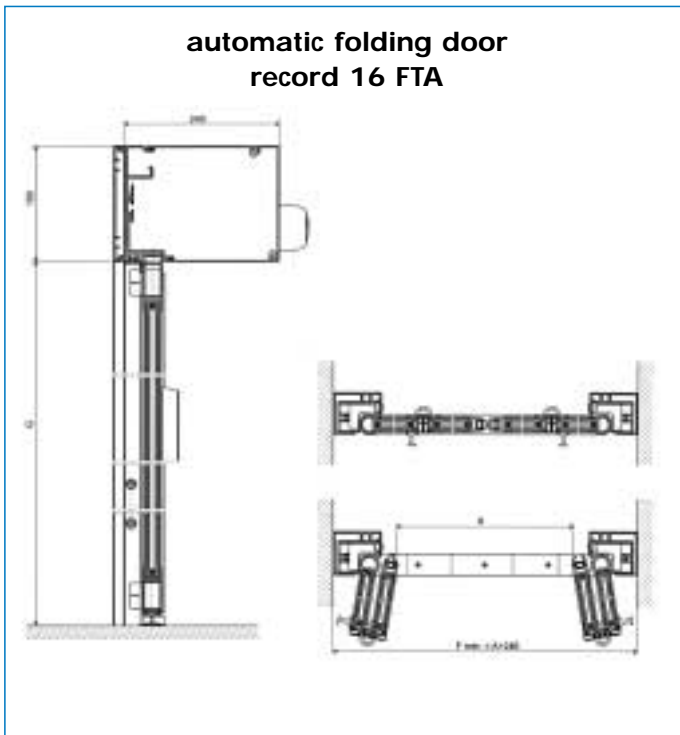
Always safe



Wall mounting



Passage mounting



A : clear opening width **G** : height of passage **F** : length of operator header

always reliable

