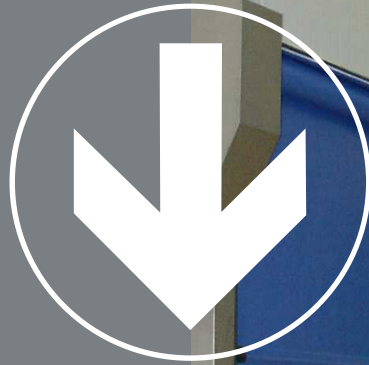


High speed rolling Door

Greensystem



Complies with the standard

EN 13241-1

Agreement N° P05-047



The clean rolling door



The **Greensystem** has been designed to answer the new constraints of the food processing industry. It will isolate a controlled area from a passageway while keeping a smooth flow of people and vehicles. The design of its structure which allow the evacuation of water, the choice of the materials and the accessibility of the sideways will guarantee you an easy cleaning with water jet and chlorinated products.



www.agta-record.com



High speed rolling door

Greensystem



A simple and sturdy door for the food industry:

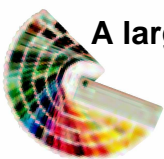
- The open structure of the Greensystem is designed to be completely washed down (waterproof elements, no water retention)
- Complete stainless steel structure
- Presence detection assured by a double row of safety cells.
- Twin speed motor– up speed $1 \text{ m} \cdot \text{s}^{-1}$ – down speed $0.49 \text{ m} \cdot \text{s}^{-1}$
- Industrial control panel with heavy duty PLC and contactors
- Door panel assembled by ultrasonic welding entirely sealed
- Prestressed polyester fabric $670\text{g}/\text{m}^2$ laminated both sides with PVC.

A wide range of colors and solutions to meet all your expectations :

- 15 panel colors available as standard
- Horizontal vision panel *
- Your logo or picture printed on the door*
- Frame in stainless steel 304L or 316L* (corrosive environment)
- Control panel in stainless steel*
- Many solutions for automatic or manual opening actuation
 - Push button, pullswitch, remote control...
 - Radars, photo cells, induction loop...
- Front side motor for in corridor installation*

People and building safety :

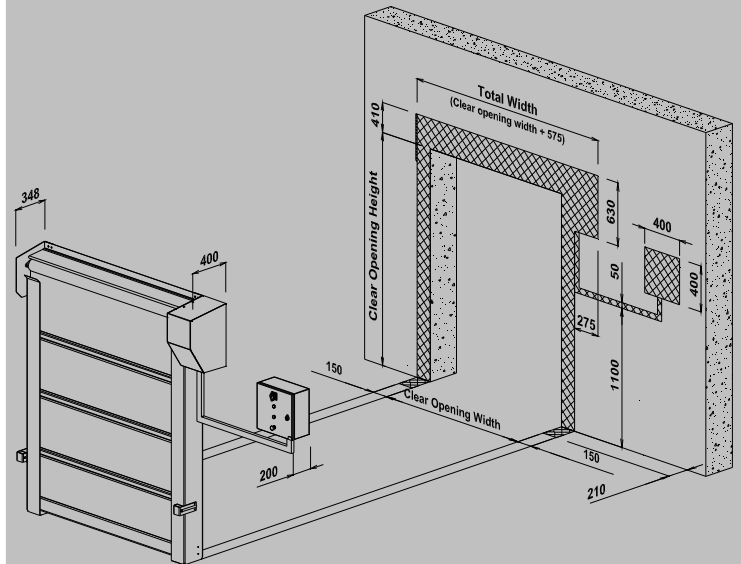
- Extra people safety :
 - Safety edge *
 - Infrared detection*, light barriers*
 - Laser detection *
- Product complies with standard EN 13241-1
 - EMC conformity
 - IP 66 Control panel
- Emergency openings :
 - Containment pin *
 - Ratchet wrench *



A large choice of colors is available to integrate Greensystem to your environment

Up to 3,5m x 3,5m !
Food industry

- Stainless steel structure
- Designed for frequent cleaning



Engine

2 speed three-phase 380V
0,37/0,55 Kw
Left or right or frontside

Operating speed

Opening $1 \text{ m} \cdot \text{s}^{-1}$ - Shutting $0,49 \text{ m} \cdot \text{s}^{-1}$

Control panel


Industrial control
Polyester casing (w) 400 x (h) 400 x (d) 200
IP 66 protection class

Wind load

Class 2 (interior door)

* Optional equipment

Production

 record industry SA – F38

www.agta-record.com

