

High speed rolling Door

Surfsystem



Complies with the standard

EN 13241-1

Agreement N° P05-047



The steel rolling door

➔ The **Surfsystem** has been designed to be installed where other doors won't :

- Freestanding frame, to install **Surfsystem** anywhere you need it.
- Dimensions up to 4m x 4m , to meet all your needs.
- A solid steel structure, to resist to any environment.

With **Surfsystem record** takes the high speed rolling door to a new level



www.agta-record.com



record

High speed rolling door Surfsystem



A simple and sturdy door designed for heavy traffic :

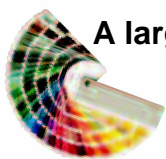
- Presence detection assured by a double row of safety cells.
- Twin speed motor – up speed $1 \text{ m} \cdot \text{s}^{-1}$ – down speed $0.49 \text{ m} \cdot \text{s}^{-1}$
- Industrial control panel with heavy duty PLC and contactors
- Door panel assembled by ultrasonic welding
- Prestressed polyester fabric $670\text{g}/\text{m}^2$ laminated both sides with PVC.
- Flexible coupling for improved reducer lifetime

A wide range of colors and solutions to meet all your expectations :

- 15 panel colors available as standard
- Your logo or picture printed on the door panel *
- Frame powder coated (RAL color on choice)
- Horizontal vision panel *
- Every possible opening actuators manual or automatic
 - Push button, pullswitch, remote control...
 - Radars, photo cells, induction loop...
- In corridor installation, in front of a fire door installation *

People and building safety :

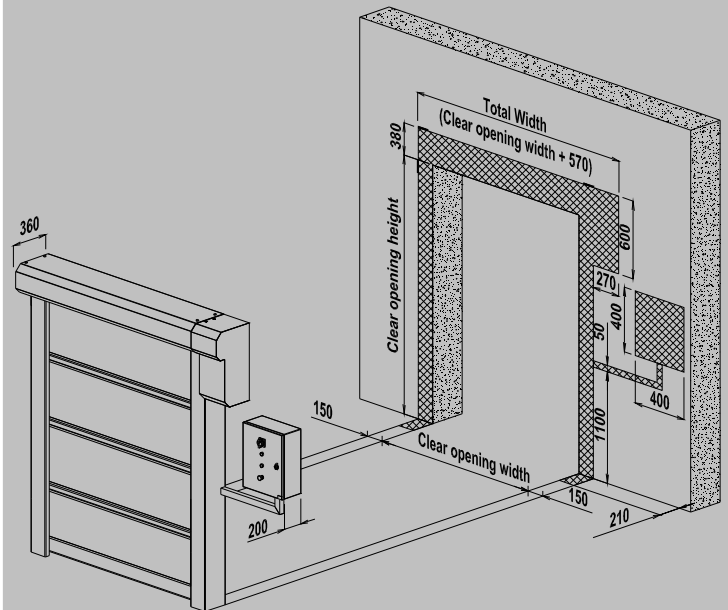
- Extra people safety :
 - Safety edge *
 - Infrared detection*, light barriers*
 - Laser detection *
- Product complies with standard EN 13241-1
 - Electromagnetic compatibility directive compliance
 - IP 65 Control panel
- Emergency openings :
 - Containment pin *
 - Shoulder high crank handle *
 - Automatic counterweight opening *



A large choice of colors is available to integrate Surfsystem to your environment

Up to 4m x 4m !
Great adaptability

- Free standing steel frame
- Compact header
- Many possibilities



Engine

2 speed three-phase 380V
0,37/0,55 Kw
Left or right or frontside

Operating speed

Opening $1 \text{ m} \cdot \text{s}^{-1}$ - Shutting $0,49 \text{ m} \cdot \text{s}^{-1}$

Control panel


Industrial control
Steel case (w) 400 x (h) 400 x (d) 200
IP 65 protection class

Wind load

Class 2 to 3 (interior door)

* Optional equipment

Production

 record industry SA – F38

www.agta-record.com

